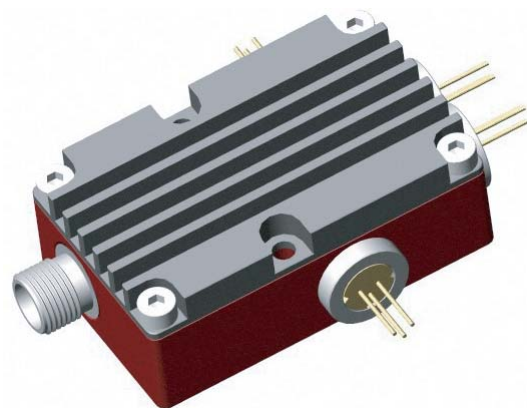


The logo for Princetel, featuring the word "Princetel" in a white, italicized, sans-serif font on a blue square background.

4-diode Laser Beam Combiner



www.princetel.com

Princetel, Inc.
4 Princess Rd Ste 209
Lawrenceville, NJ 08648
609.895.9890
fax 609.895.9552
info@princetel.com



4-diode Laser Beam Combiner

Description

This diode laser beam combiner is a solid package that combines four different diode laser beams into one optical fiber. The fiber choice can be single mode, multimode, plastic or polarization maintaining (PM). The rugged package can be easily designed into an electronic board or used alone.

We have seen a wide variety of applications such as medical diagnostics, sensors, spectroscopy, and test and measurement instruments. These modules feature good coupling efficiency, outstanding stability, and long-term reliability. The current model can be ordered with either FC or SMA type of receptacles and the choice of wavelength ranges from 635 nm to 1560 nm.

Specifications

Wavelength	635-1650 nm (see code for more choices)
Coupling efficiency (SM fiber)	>10% (30% typical)
Coupling efficiency (MM fiber)	>50% (>70% typical)
Operating temperature	0 to 40 C
Storage temperature	-20 to 60 C

Call us if you only need to combine 2 or 3 beams.

www.princetel.com

Princetel, Inc.
4 Princess Rd Ste 209
Lawrenceville, NJ 08648
609.895.9890
fax 609.895.9552
info@princetel.com



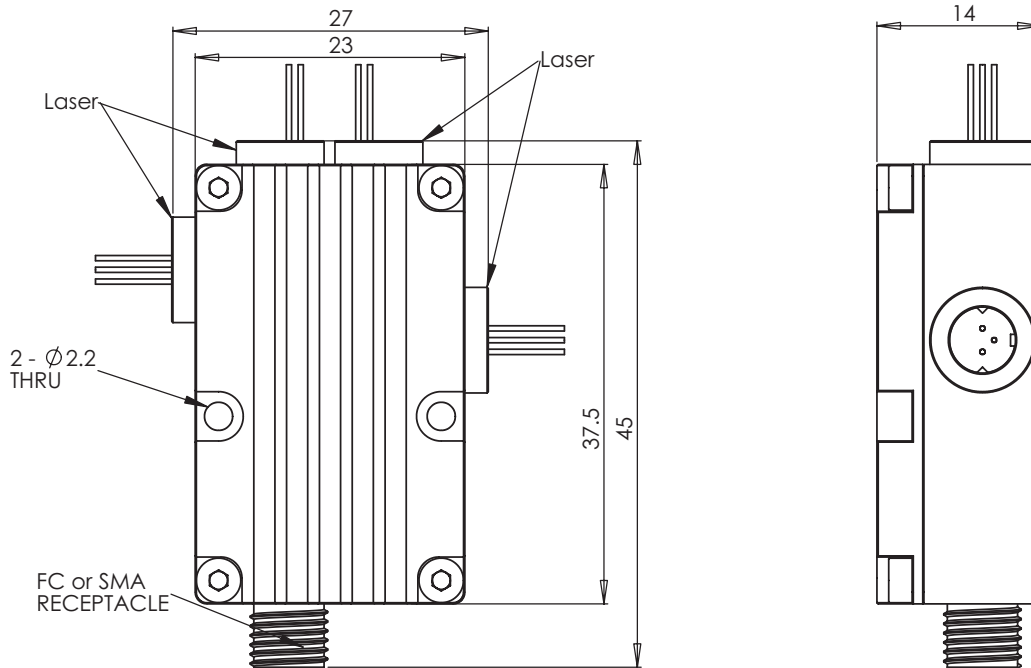
4-diode Laser Beam Combiner

Physical Properties

Package type	FC or SMA receptacle
Package Material	Aluminum/SS
Receptacle Sleeve material	Zirconia
Fiber type (for optimization)	Singlemode, PM, multimode, or plastic
Dimensions (lxwxh)	37.5x23x14 mm
Weight	<50 g
Diode package type	5.6 mm TO CANs with hermetic seal*

* 9 mm TO package can be used on custom basis.

Mechanical



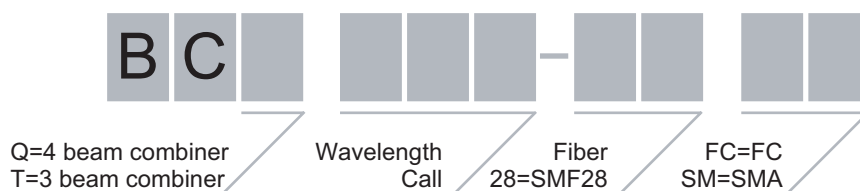
www.princetel.com

Princetel, Inc.
4 Princess Rd Ste 209
Lawrenceville, NJ 08648
609.895.9890
fax 609.895.9552
info@princetel.com



4-diode Laser Beam Combiner

Part Number



Wavelength and Fiber Code

Wavelength	Fiber
165=1625 nm	28=Corning SMF28 (1290=1650 nm)
162=1625 nm	13=Fujikura SM13 PANDA fiber
159=1590 nm	15=Fujikura SM15 PANDA fiber
155=1550 nm	56=3M FS-SN5624 (980 nm)
153=1530 nm	42=3M FS-SN4224 (850 nm)
148=1480 nm	32=3M FS-SN3224 (635 nm)
131=1310 nm	50=50/125 multimode
980=980 nm	62=62.5/125 multimode
850=950 nm	10=100/140 multimode
780=780 nm	20=200/240 multimode
670=670 nm	40=400/425 multimode
650=650 nm	60=600/630 multimode
635=635 nm	01=1000 um Mitsubishi plastic

www.princetel.com

Princetel, Inc.
 4 Princess Rd Ste 209
 Lawrenceville, NJ 08648
 609.895.9890
 fax 609.895.9552
 info@princetel.com