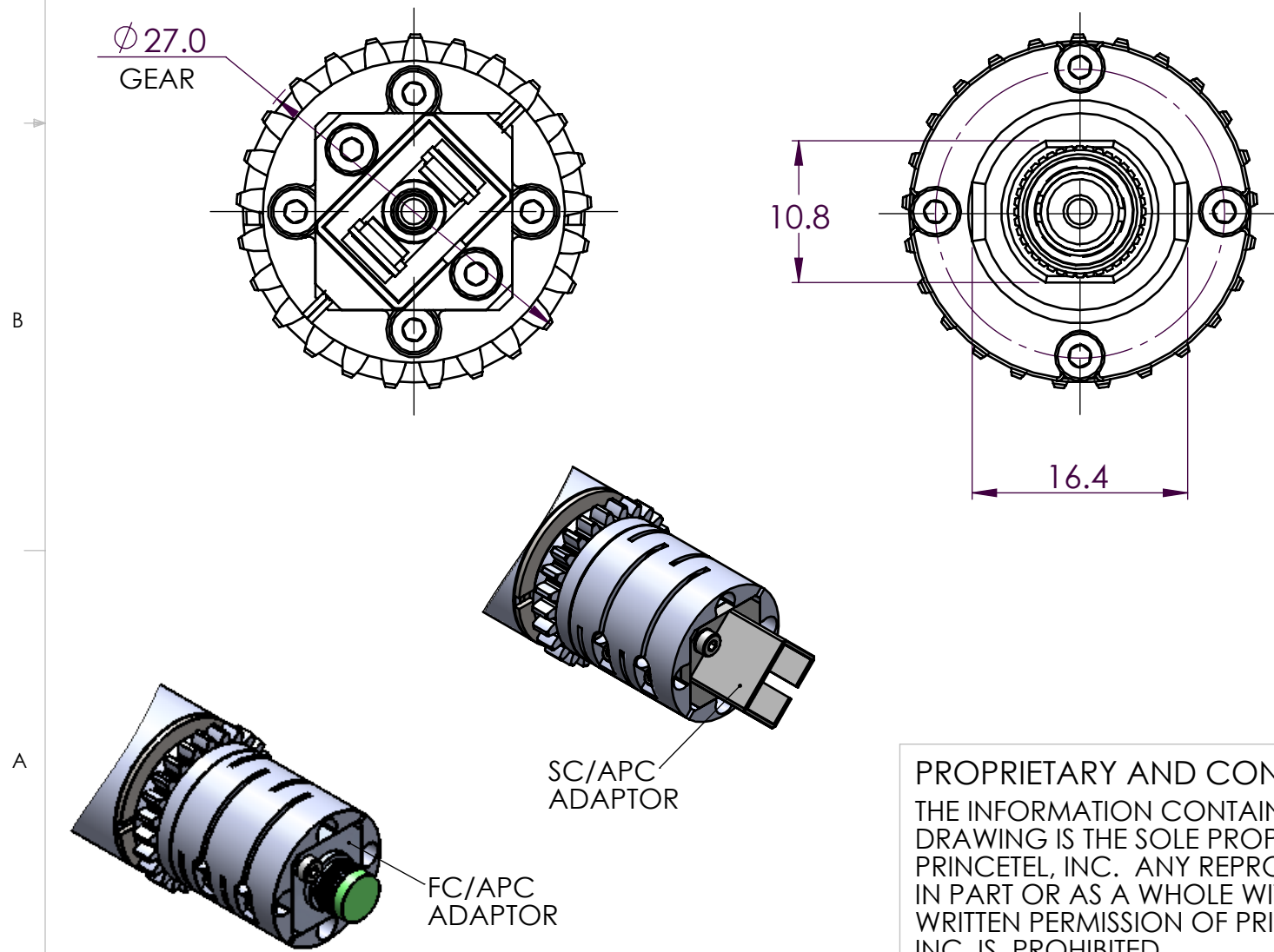


Note: More options available upon request.



PROPRIETARY AND CONFIDENTIAL
 THE INFORMATION CONTAINED IN THIS
 DRAWING IS THE SOLE PROPERTY OF
 PRINCETEL, INC. ANY REPRODUCTION
 IN PART OR AS A WHOLE WITHOUT THE
 WRITTEN PERMISSION OF PRINCETEL,
 INC. IS PROHIBITED.

STANDARD SPECIFICATIONS	
PARAMETERS	VALUES
Wavelength range	1310, 1550 nm, or both (850, 1310 nm, or both)
Insertion loss	<2 dB (typical: <1 dB)
Insertion loss ripple	<+/-0.5 dB
Return loss (SM)	>55 dB (MJPP: >60dB)
Estimated life cycle	>500 million revolutions (1,000 rpm/365 days continuous)
Working temperature	-20 to 65 C
Storage temperature	-25 to 75 C
Package style	Pigtails on stator, SC/APC or FC/APC Adaptor on rotor
Housing material	Stainless steel
Fiber types	Single or multimode
Jacket types	900um, 2mm, 3 mm
Connector types	ST, FC, LC, SC (PC and APC)
Vibration	MIL-STD-167-1A
Mechanical shock	MIL-STD-810G
IP rating	IP 50

UNLESS OTHERWISE SPECIFIED:

DIMENSIONS ARE IN mm
 DO NOT SCALE DRAWING

TOLERANCES:
 ANGULAR: ± 1/2°
 ONE PLACE DECIMAL ± 0.100
 TWO PLACE DECIMAL ± 0.050
 THREE PLACE DECIMAL ± 0.025

MATERIAL:

DATE		NAME		PRINCETEL, INC.
DRAWN	9/7/2017	L. X.		
CHECKED	9/7/2017	R. Z.		
ENG APPR.				
MFG APPR.				
COMMENTS: FIRST ANGLE PROJECTION				TITLE:
				MJP-SAP(FAP), FORJ GEAR DRIVE
SIZE	DWG. NO.	REV		
B	186-200-AD1	3		
PART NO.		SHEET 1 OF 1		

