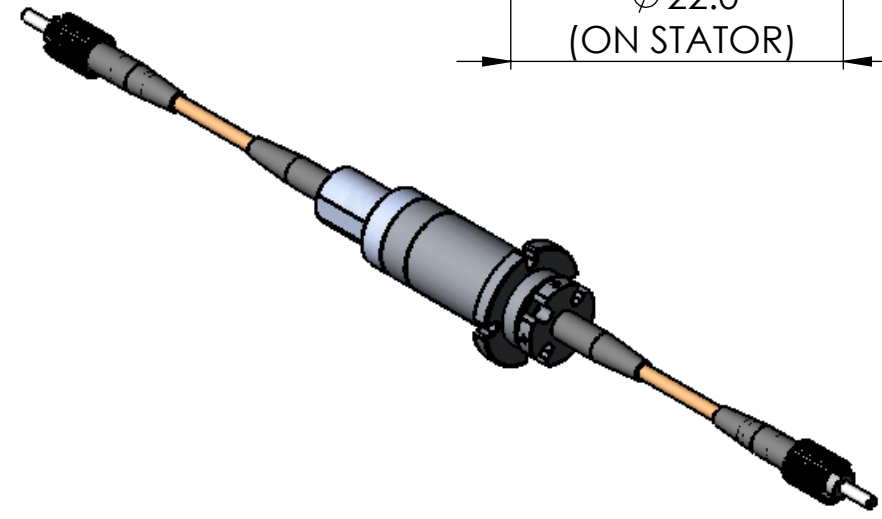
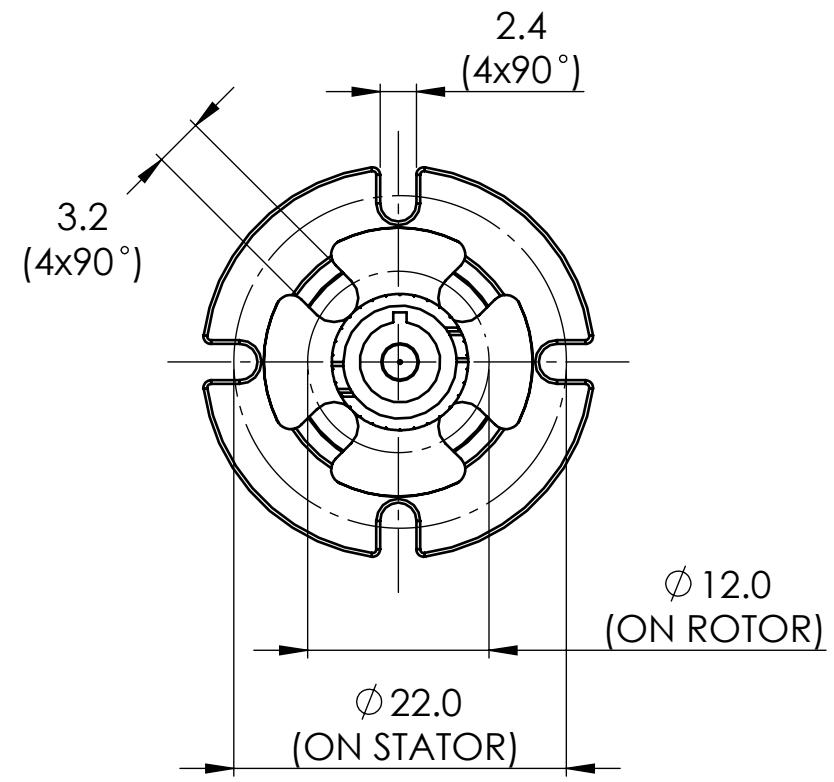


Note: More options available upon request.



PROPRIETARY AND CONFIDENTIAL
 THE INFORMATION CONTAINED IN THIS
 DRAWING IS THE SOLE PROPERTY OF
 PRINCETEL, INC. ANY REPRODUCTION
 IN PART OR AS A WHOLE WITHOUT THE
 WRITTEN PERMISSION OF PRINCETEL,
 INC. IS PROHIBITED.

STANDARD SPECIFICATIONS	
PARAMETERS	VALUES
Wavelength range	1310, 1550 nm, or both (850, 1310 nm, or both)
Insertion loss	<2 dB (typical: <1 dB)
Insertion loss ripple	<+/-0.5 dB
Return loss (SM)	>55 dB (MJPP: >60dB)
Maximum speed	10,000 rpm
Estimated life cycle	>500 million revolutions (1,000 rpm/365 days continuous)
Working temperature	-20 to 65 C
Storage temperature	-25 to 75 C
Package style	Pigtails on both ends
Housing material	Stainless steel
Fiber types	Single or multimode
Jacket types	900um, 2mm, 3 mm
Connector types	ST, FC, LC, SC (PC and APC)
Vibration	MIL-STD-167-1A
Mechanical shock	MIL-STD-810G
IP rating	IP 50

UNLESS OTHERWISE SPECIFIED:			DATE			NAME			PRINCETEL, INC.		
DIMENSIONS ARE IN mm			DRAWN			9/11/2015			L. X.		
DO NOT SCALE DRAWING			CHECKED			9/11/2015			R. Z.		
TOLERANCES:			ENG APPR.						TITLE:		
ANGULAR: $\pm 1/2^\circ$			MFG APPR.						MJP, FORJ		
ONE PLACE DECIMAL ± 0.100			Q.A.						REV		
TWO PLACE DECIMAL ± 0.050			COMMENTS: FIRST ANGLE PROJECTION						SIZE DWG. NO.		
THREE PLACE DECIMAL ± 0.025									B 1071-00-AD		
MATERIAL:									PART NO. - SHEET 1 OF 1		

