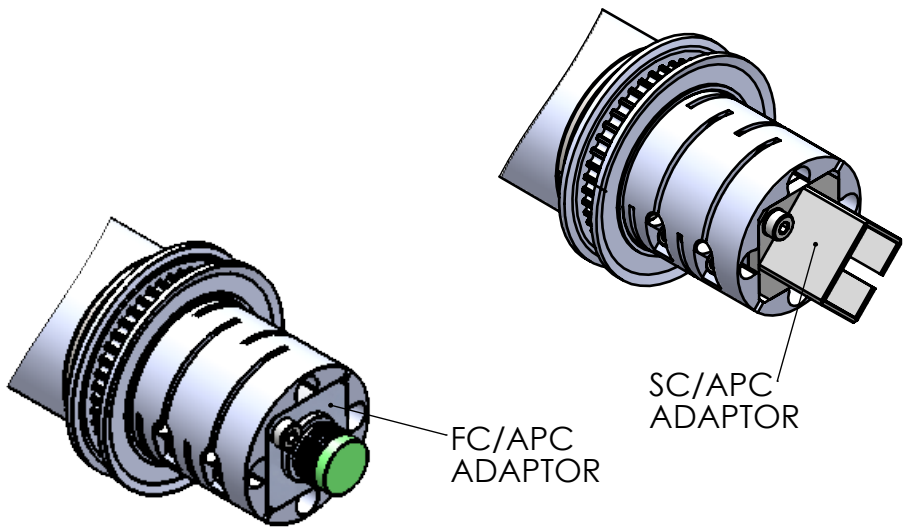
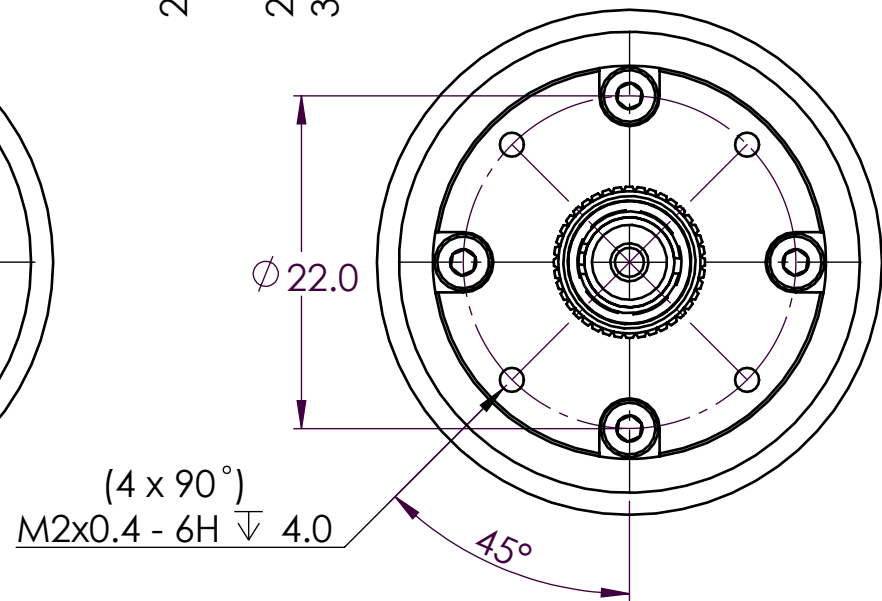
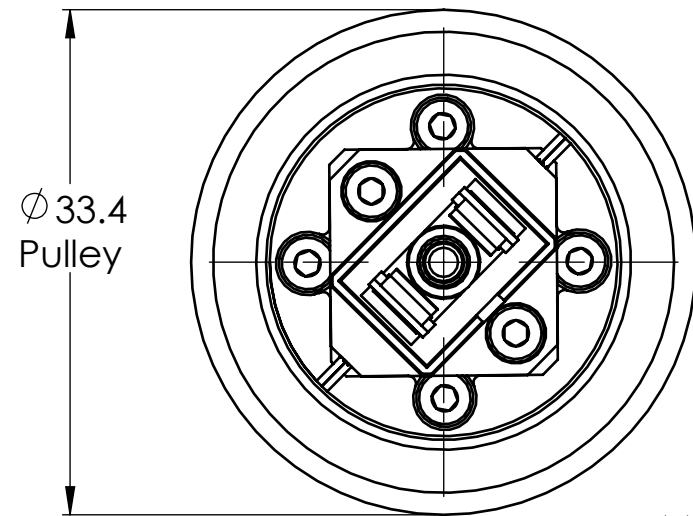


Note: More options available upon request.



PROPRIETARY AND CONFIDENTIAL
 THE INFORMATION CONTAINED IN THIS DRAWING IS THE SOLE PROPERTY OF PRINCETEL, INC. ANY REPRODUCTION IN PART OR AS A WHOLE WITHOUT THE WRITTEN PERMISSION OF PRINCETEL, INC. IS PROHIBITED.

STANDARD SPECIFICATIONS	
PARAMETERS	VALUES
Wavelength range	650-1650 nm
Insertion loss	<2 dB (typical: <0.5 dB)
Insertion loss ripple	<+/-0.25 dB (typical: +/-0.15 dB)
Return loss (SM)	>40 dB (typical: 45 dB, 23 C), >55 dB (MJXA)
Estimated life cycle	200-400 million revolutions
Working temperature	-40 to 85 C
Storage temperature	-50 to 85 C
Package style	Pigtails on stator, SC/APC or FC/APC Adaptor on rotor
Housing material	Stainless steel
Fiber types	Single or multimode
Jacket types	900um, 2mm, 3 mm (Kevlar/PVC)
Connector types	ST, FC, LC, SC (PC and APC)
Vibration	MIL-STD-167-1A
Mechanical shock	MIL-STD-810G
IP rating	IP 68

UNLESS OTHERWISE SPECIFIED:

DIMENSIONS ARE IN mm
 DO NOT SCALE DRAWING

TOLERANCES:
 ANGULAR: ± 1/2°
 ONE PLACE DECIMAL ± 0.100
 TWO PLACE DECIMAL ± 0.050
 THREE PLACE DECIMAL ± 0.025

MATERIAL:

DRAWN	9/6/2017	L. X.	PRINCETEL, INC.
CHECKED	9/6/2017	R. Z.	
ENG APPR.			
MFG APPR.			
Q.A.			
COMMENTS: FIRST ANGLE PROJECTION			TITLE:
			MJX-SAPB(FAPB), FORJ BELT DRIVE
SIZE	DWG. NO.	REV	
B	186-201-AD2	3	
PART NO.	-	SHEET 1 OF 1	

