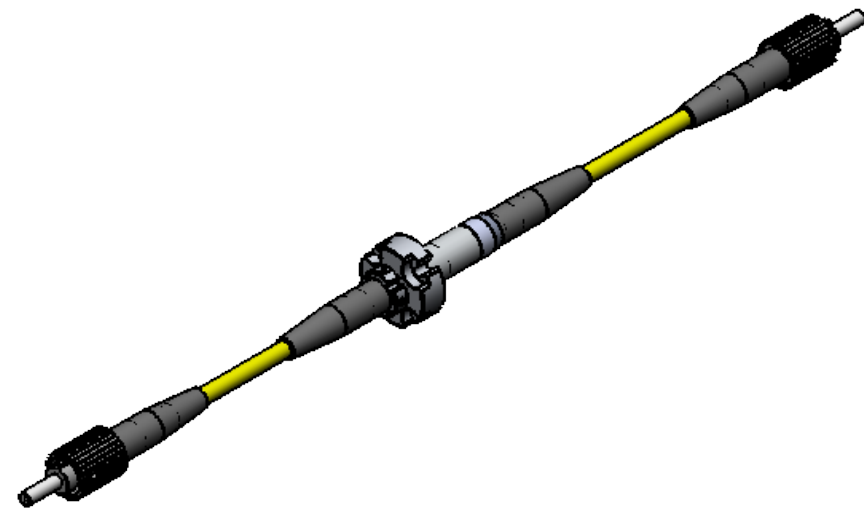
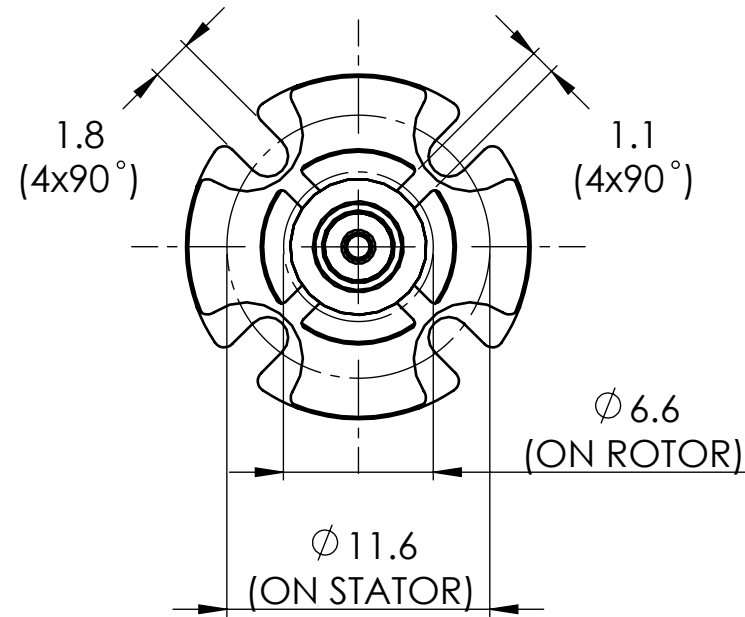


Note: More options available upon request.



**STANDARD SPECIFICATIONS**

PARAMETERS	VALUES
Wavelength range	650-1650 nm
Insertion loss	<2 dB (typical: <0.5 dB)
Insertion loss ripple	<+/-0.25 dB (typical: +/-0.15 dB)
Return loss (SM)	>40 dB (typical: 45 dB, 23 C), >55 dB (MJXA)
Maximum speed	2,000 rpm
Estimated life cycle	200-400 million revolutions
Working temperature	-40 to 85 C
Storage temperature	-50 to 85 C
Package style	Pigtails on both ends
Housing material	Stainless steel
Fiber types	Single or multimode
Jacket types	900um, 2mm, 3 mm
Connector types	ST, FC, LC, SC (PC and APC)
Vibration	MIL-STD-167-1A
Mechanical shock	MIL-STD-810G
IP rating	IP 68

UNLESS OTHERWISE SPECIFIED:

DIMENSIONS ARE IN mm  
DO NOT SCALE DRAWING

TOLERANCES:  
ANGULAR:  $\pm 1/2^\circ$   
ONE PLACE DECIMAL  $\pm 0.100$   
TWO PLACE DECIMAL  $\pm 0.050$   
THREE PLACE DECIMAL  $\pm 0.025$

MATERIAL:

DRAWN		DATE	NAME	PRINCETEL, INC.
DRAWN		9/10/2015	L. X.	
CHECKED		9/10/2015	R. Z.	
ENG APPR.				
MFG APPR.				
COMMENTS: FIRST ANGLE PROJECTION				TITLE:
				MJX,FORJ
SIZE	DWG. NO.	REV		
B	107-00-AD	3		
PART NO.		SHEET 1 OF 1		

PROPRIETARY AND CONFIDENTIAL  
THE INFORMATION CONTAINED IN THIS DRAWING IS THE SOLE PROPERTY OF PRINCETEL, INC. ANY REPRODUCTION IN PART OR AS A WHOLE WITHOUT THE WRITTEN PERMISSION OF PRINCETEL, INC. IS PROHIBITED.