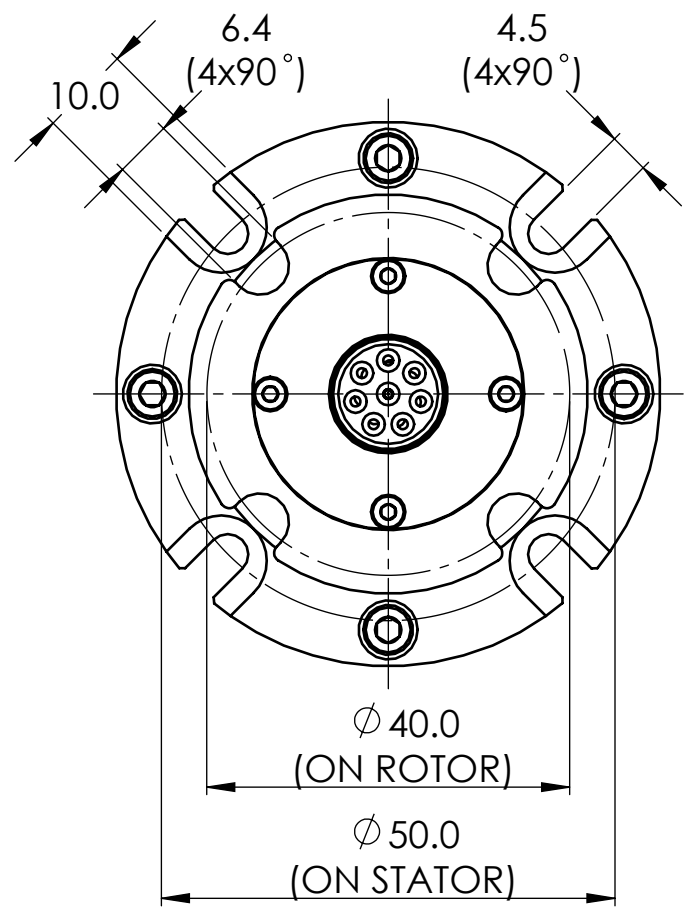


Note: More options available upon request.



PROPRIETARY AND CONFIDENTIAL  
 THE INFORMATION CONTAINED IN THIS DRAWING IS THE SOLE PROPERTY OF PRINCETEL, INC. ANY REPRODUCTION IN PART OR AS A WHOLE WITHOUT THE WRITTEN PERMISSION OF PRINCETEL, INC. IS PROHIBITED.

STANDARD SPECIFICATIONS	
PARAMETERS	VALUES
Wavelength range	1270-1610 nm for SM; 850 and 1310 nm for MM
Insertion loss	<5 dB (typical: 2-3 dB)
Insertion loss ripple	~+/-0.5 to 1 dB
Return loss (SM)	>45 dB
Crosstalk	>50 dB (typical: 63 dB)
Maximum speed	300 rpm
Estimated life cycle	100-200 million revolutions
Working temperature	-20 to 65 C
Storage temperature	-25 to 75 C
Package style	Pigtails on both ends
Housing material	Stainless steel
Fiber types	Single or multimode
Jacket types	900um, 2mm, 3 mm (Kevlar/PVC or armor)
Connector types	ST, FC, LC, SC (PC and APC)
Vibration	MIL-STD-167-1
Mechanical shock	MIL-STD-810F
IP rating	IP 65

UNLESS OTHERWISE SPECIFIED:  
 DIMENSIONS ARE IN mm  
 DO NOT SCALE DRAWING

TOLERANCES:  
 ANGULAR: ± 1/2°  
 ONE PLACE DECIMAL ± 0.100  
 TWO PLACE DECIMAL ± 0.050  
 THREE PLACE DECIMAL ± 0.025

MATERIAL:

DRAWN	DATE	NAME	PRINCETEL, INC.
CHECKED	1/5/2017	L. X.	
ENG APPR.		R. Z.	
MFG APPR.			
Q.A.			
COMMENTS: FIRST ANGLE PROJECTION			TITLE:
			MXnL FORJ Seal: IP65
SIZE	DWG. NO.	REV	
B	2023-65-AD	2	
PART NO.	-	SHEET 1 OF 1	

