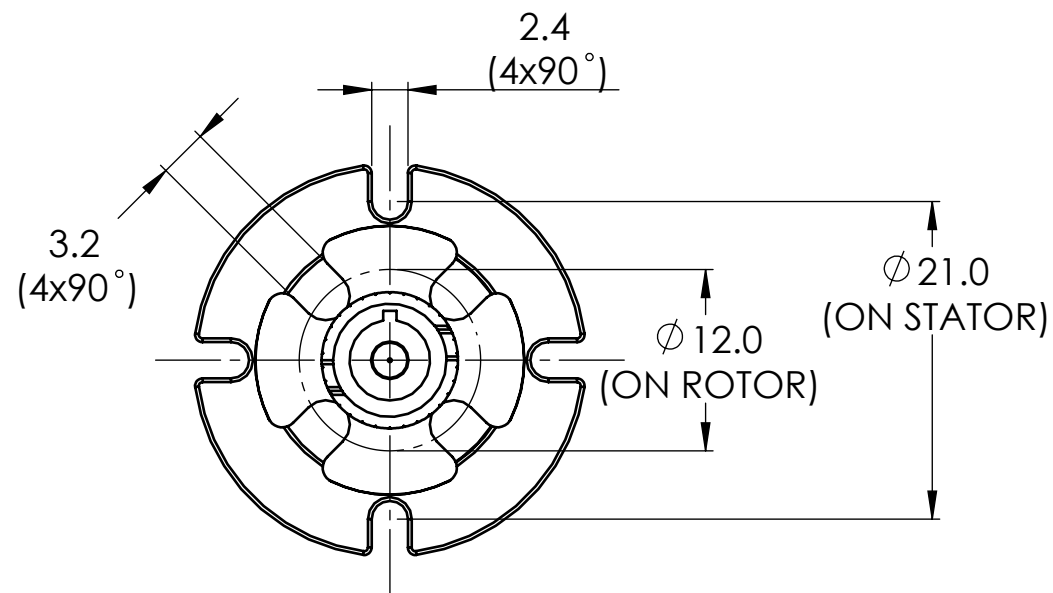


Note: More options available upon request.



| STANDARD SPECIFICATIONS | |
|-------------------------|-----------------------------------|
| PARAMETERS | VALUES |
| Wavelength range | 650-1650 nm |
| Insertion loss | <2 dB |
| Insertion loss ripple | <+/-0.25 dB (typical: +/-0.15 dB) |
| Return loss (SM) | >40 dB (RPC), >55 dB (RPCA) |
| Maximum speed | 2,000 rpm |
| Estimated life cycle | 200-400 million revolutions |
| Working temperature | -40 to 85 C |
| Storage temperature | -50 to 85 C |
| Package style | Pigtails on both ends |
| Housing material | Stainless steel |
| Fiber types | Single or multimode |
| Jacket types | 900um, 2mm, 3 mm |
| Connector types | ST, FC, LC, SC (PC and APC) |
| Shock and vibration | Telcordia GR1221CORE |

UNLESS OTHERWISE SPECIFIED:

DIMENSIONS ARE IN mm
DO NOT SCALE DRAWING

TOLERANCES:
ANGULAR: ± 1/2°
ONE PLACE DECIMAL ± 0.100
TWO PLACE DECIMAL ± 0.050
THREE PLACE DECIMAL ± 0.025

MATERIAL:

| DATE | | NAME | | PRINCETEL, INC. | |
|----------------------------------|-----------|-------|--|-----------------|------------|
| DRAWN | 9/11/2015 | L. X. | | TITLE: | |
| CHECKED | 9/11/2015 | R. Z. | | RPC, FORJ | |
| ENG APPR. | | | | | |
| MFG APPR. | | | | | |
| Q.A. | | | | | |
| COMMENTS: FIRST ANGLE PROJECTION | | | | SIZE | DWG. NO. |
| | | | | B | 1071-00-02 |
| | | | | REV | 5 |
| | | | | PART NO. | - |
| | | | | SHEET 1 OF 1 | |

PROPRIETARY AND CONFIDENTIAL
THE INFORMATION CONTAINED IN THIS
DRAWING IS THE SOLE PROPERTY OF
PRINCETEL, INC. ANY REPRODUCTION
IN PART OR AS A WHOLE WITHOUT THE
WRITTEN PERMISSION OF PRINCETEL,
INC. IS PROHIBITED.

