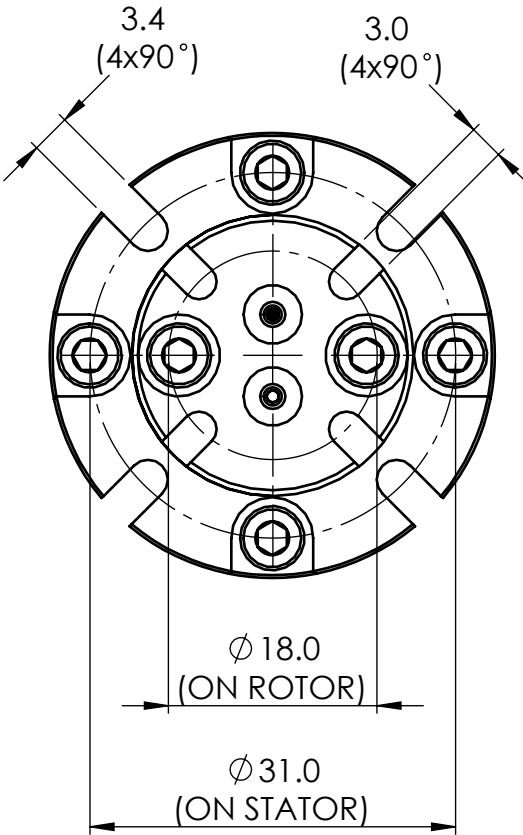


Note: More options available upon request.



PROPRIETARY AND CONFIDENTIAL
 THE INFORMATION CONTAINED IN THIS DRAWING IS THE SOLE PROPERTY OF PRINCETEL, INC. ANY REPRODUCTION IN PART OR AS A WHOLE WITHOUT THE WRITTEN PERMISSION OF PRINCETEL, INC. IS PROHIBITED.

STANDARD SPECIFICATIONS	
PARAMETERS	VALUES
Wavelength range	650 nm
Insertion loss	<7 dB/channel 1, <10 dB/channel 2 (premium: <7 dB)
Insertion loss WOW	<+/-1 dB/channel 1, <+/-1.5 dB/channel 2
Return loss	~40 dB
Crosstalk	>40 dB
Maximum speed	1000 rpm
Estimated life cycle	>200 million revolutions
Working temperature	-40 to 85 C
Storage temperature	-50 to 85 C
Package style	Pigtails on both ends
Housing material	Stainless steel/Aluminum
Fiber types	PMMA step index, 1 mm core/2mm jacket
Connector types	ST, FC, SC, and SMA905
Vibration	MIL-STD-167-1A
Mechanical shock	MIL-STD-810G
IP rating	IP 68

UNLESS OTHERWISE SPECIFIED:
 DIMENSIONS ARE IN mm
 DO NOT SCALE DRAWING

TOLERANCES:
 ANGULAR: ± 1/2°
 ONE PLACE DECIMAL ± 0.100
 TWO PLACE DECIMAL ± 0.050
 THREE PLACE DECIMAL ± 0.025

MATERIAL:

DRAWN	DATE	NAME	PRINCETEL, INC. TITLE: PJ2, FORJ
CHECKED	10/5/2015	L. X.	
ENG APPR.	10/5/2015	R. Z.	
MFG APPR.			
Q.A.			
COMMENTS: FIRST ANGLE PROJECTION			SIZE DWG. NO. REV B 1021-00-AD 2
			PART NO. - SHEET 1 OF 1